



Multimeter



Potable Oscilloscope



Oscilloscope



Multimeter



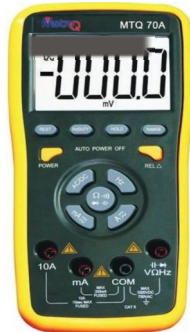
CLAMP METER



SMART SMD TESTER



FLUKE METER



Multimeter



Multimeter



LUXMETER



WIRE TESTING METER

Tape Solution



AI Sequencing Tape



Double Side Paper Tape



Tape Dispenser For Cartons



Tape Dispenser Handy



Masking Tape



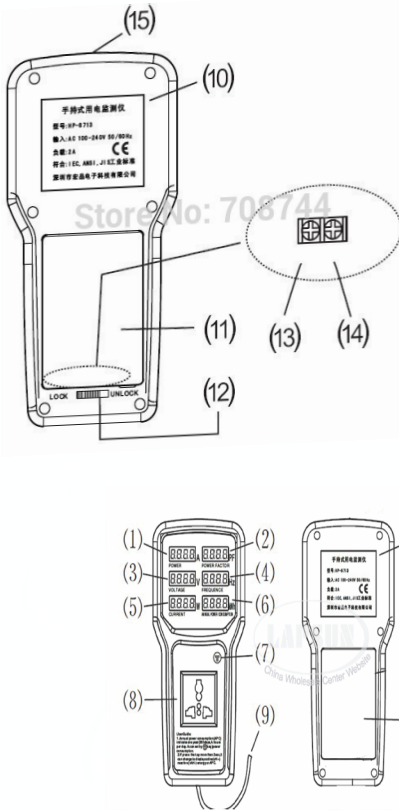
FLOOR MASKING TAPE



Tape



Kapton Tape



Specification

- 1 RMS Current Display : 0.002a~20a(hp-9800)
 - 2 Power Factor Test Range : 0.001~1.000
 - 3 RMS Voltage Test Range :85v~265v
 - 4 Frequency Test Range :45hz~65hz
 - 5 Active Power Test Range : 0.5w~4400w (hp-9800)
 - 6 Annual Power Consumption Display Range:0.9999kw
 - 7 Key: Adjust Hours, Display Mode, Clear Energy Data
 - 8 Power Outlet Output20a/250v Max
 - 9 Ac Power Code Input 20a/250v Max
 - 10 Label
 - 11 Rear Cover 12 Rear Cover Lock
 - 13 USB-to-serial Com Port (optional)
- Remark: When Display Active Power Power,(4) (6) Will Alternate Display The Hours Of Oac.

Technical Parameters:

- Load Current Display Range :0.002a~20a
- Power Factor Test Range : 0.001to 1.000
- Input Voltage Test Rang :58v~265v
- Power Frequency Teat Range : 45hz ~65hz
- Active Test Range :0.5w ~4400w
- Annual Electricity Consumption/ Active Energy/ Electricity {0.01 To 20.00onDisplay Range : 0~9999kw
- Buttons : Adjust Day Working Hours, Display Mode, Clear The Energy Data
- Power Outlet : Output 20a
- Power Cable : Input 85v~265v
- Model Label
- Cover
- Cover Lock
- Auxiliary Output Of The Zero Line
- Auxiliary Output Fire Wire